

Focus E

Commercial E Pressure Balance Trim

Finishes : **chrome** Part no. : **04201000**



Description

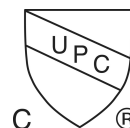
Features

- Flow: 4.5 GPM
- Integrated bypass for use with diverter tub spouts
- Temperature and on/off control for 1 outlet

Item details

List Price \$ 142.00

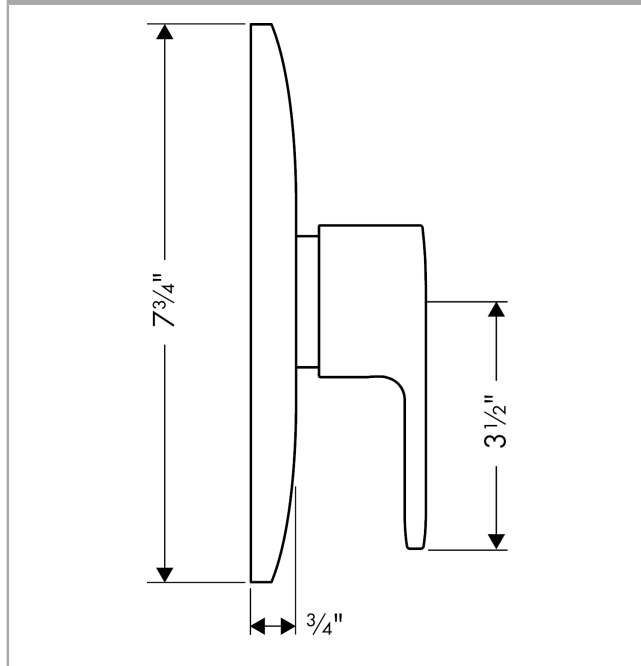
Compliance



Product image



Scale drawing



Focus E

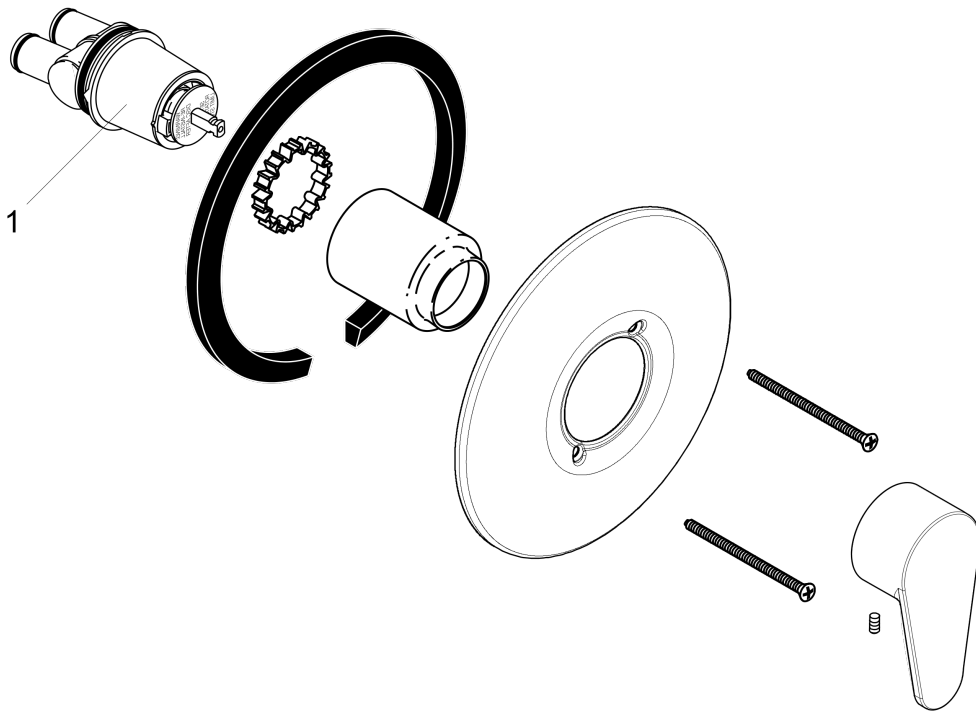
Commercial E Pressure Balance Trim

Finishes : **chrome** Part no. : **04201000**



Exploded drawing

Year of production: >10/08



Focus E

Commercial E Pressure Balance Trim

Finishes : **chrome** Part no. : **04201000**



Spare parts list

Year of production: >10/08

Pos.	Description	Part no.	Price	PU
1	cartridge, assy	88727000	-	1
a	base body	04120181	-	1
b	base body	04121181	-	1